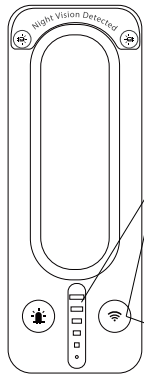


How to Detect Wireless Signals

Wireless Signals Detect



- ① Hold and press the Wireless Signals Detector switch for 3 seconds to start. Device will enter Grade 3 (Middle Sensitivity) automatically.
- ② Short press the switch again to increase the grade to 4 or 5, or cycle from 1 to adapt to the surroundings (While changing grades there is only LED indicator).
- ③ Move device close to suspicious objects or locations. If there are hidden wireless devices the indicator speaker and vibration will work at the same time according to the signal strength of wireless devices.
- ④ Press and hold the wireless signals detector switch for 3 seconds to shut down (5 leds blink twice).

TIPS:

1. The 940nm Invisible IR Detect Mode is affected by sunlight, so use the product at night or during the day when the curtains are closed.
2. Signal detection is in the third gear by default after power on.
3. 10 minutes automatic shutdown without operation.

Battery	600mA
Power consumption	50mA
Continuous use time	Around 10 hours
Charging time	Around 2 hours

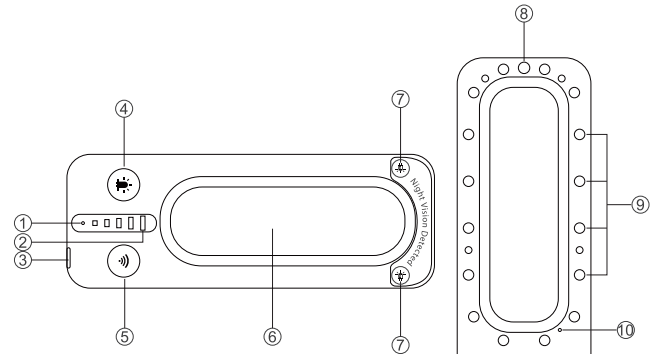
RF BUG DETECTOR for Hidden Cameras, Wireless Signals

User Manual(August, 2022)

The RF Bug Detector is for personal privacy protection. It assists in finding and sweeping for unauthorized surveillance devices. Locate hidden cameras and wireless transmissions that could be invading your private space at home, conference room and office or during travel and shopping etc...It's portable and easy to carry in your handbag, suitcase or briefcase.

Usage area: Hotel AirBnB Home Dressing room
Public toilet Gym

Product structure



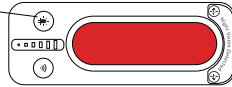
- ① Charging Indicator
- ② Frequency Indicator
- ③ USB Charging Port
- ④ Night Vision Detection and Lens Finder Switch
- ⑤ Wireless Signals Detector Switch
- ⑥ Viewfinder(8.5x4.5cm)
- ⑦ Night Vision Detected Indicator
- ⑧ Night Vision Detector
- ⑨ Ultra Bright Red LEDs
- ⑩ Speaker

In the box:

1 x RF Bug Detector 1 x User Manual 1 x USB Cable 1 x Practice Camera lens

How to Detect Hidden Cameras

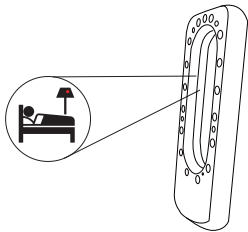
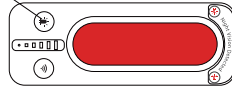
- ① Press and hold the lens finder switch for 3 seconds to start;



② **940nm Invisible IR detection**

- A. Once device starts it enters the first gear = The 940nm Invisible IR Detect Mode.
B. Slowly scan the suspected area to look for any hidden cameras equipped with 940nm Invisible IR. If the front two Night Vision Detected indicators (red color) turn on there may be hidden cameras in that location as it is detection infrared light.

- Tips:** 1. Only this first gear has the 940nm Invisible IR Detect Function;
2. The Night Vision Detection is affected by sunlight, so use the product at night or during the day when the curtains are closed.



③ **Hidden Camera Lens Detection**

- A. Once device enters the first gear, short press the lens finder switch to enter Hidden Camera Lens Detect Mode.
B. Look through the Viewfinder and slowly scan the suspected area to look for any cameras. (Short press the Len Finder Switch to change the speed of flashing LEDs [Solid, Fast, Slow, Slower].) The lens of the hidden cameras will appear as a bright red point of blinking light when illuminated by the LEDs. The included Practice Lens will indicate what you will be looking for.

- ④ Press and hold the Lens Finder Switch 3 seconds to turn off the Lens Detector.

How to use the Practice Camera lens

This is a real(non-working) camera lens that will teach you to find any hidden camera.

Line up the Practice Camera lens and the Camera Finder so they are all in straight line of eye sight. Looking through the red viewer you will see the red LEDs'reflection off

the Practice Camera lens. Focus on the center of the Practice Camera lens glass and

look for the red dot. Tilt the Practice Camera lens and the Camera Finder to see how

the Lens reflection follows the red LED light source.



Camera Lens Reflections

Common Camera Hiding Locations:

Clocks, Chargers, AC Outlets, Light Bulbs, Fake Router, Smoke Alarm, Air Vents, Tissue

Box, Water Bottle, Picture Frames, Stuffed Animals, Books, Clothes Hook and Home

Decor Items