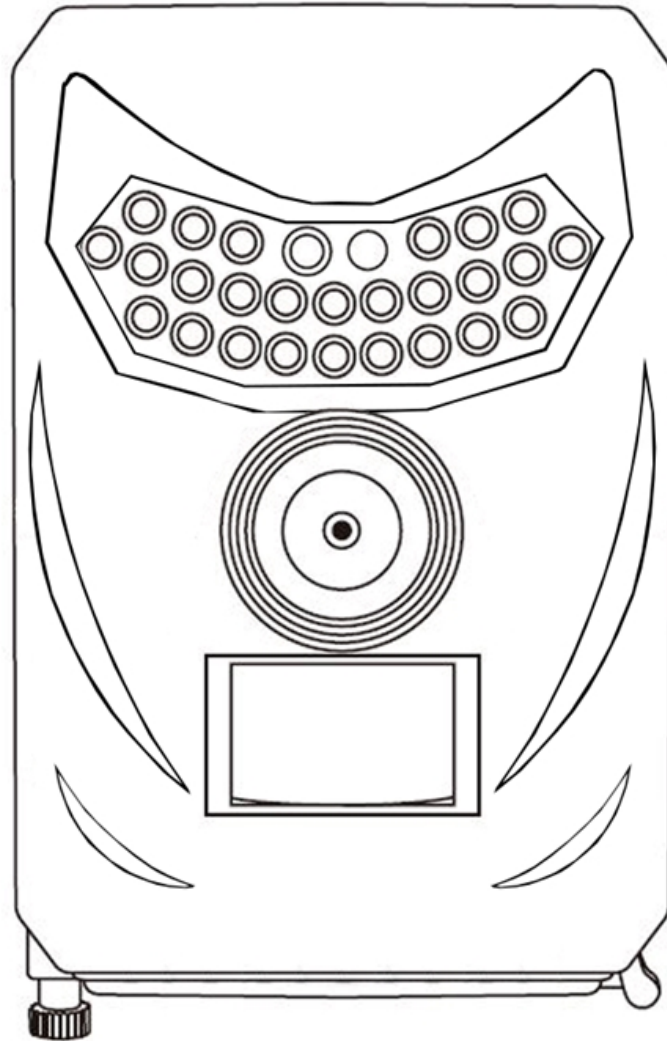


USER MANUAL

GAME TRAIL CAMERA



Thank you for choosing one of our easy operation highly qualified products. You now may enjoy the excellences reflected on this series product. This 12MP HD digital camera was totally R&D by our diligent and smart engineers based on feedbacks and requirements from customers globally. May you also enjoy and adore this product as we do. And our company is always open-minded with willing to adopt creative ideas from you.

1: Besides all the functions you may experience from any other similar product; This digital camera is aimed to offer user the most easy to use experience with extraordinary features, like 120°FOV Lens, 26PCS IR LED's, 1S trigger time, and 1 photo/s, up to 3 photos and 10S video file per trigger.

2: This digital camera is an ideal product for housing security, warehouse surveillance, and monitoring wild animals with its camouflage appearance and nice shape. It is convenient to install or fasten, could be used to take photographs and carry on video files.

- a. Instant surveillance camera for home, office, construction site, and warehouse, etc
- b. Motion-triggered infra-red night vision surveillance;
- c. Animal observation and hunting;

3: Power Supply

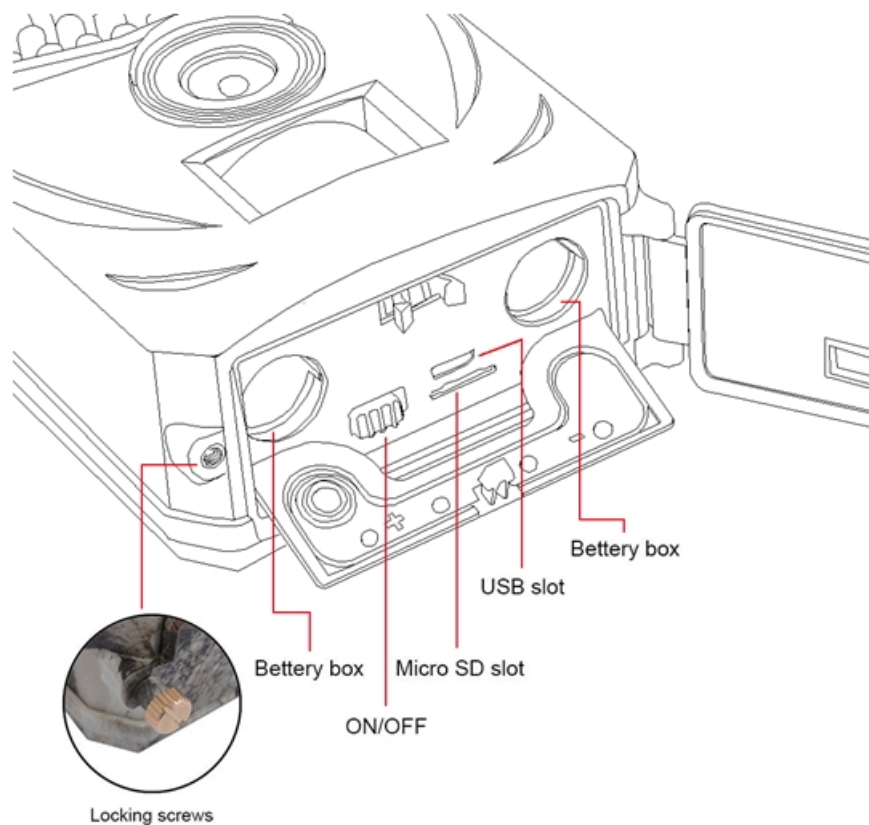
Camera runs on 4 AA batteries or DC 5V power or 5V solar panel

Note: Recommend to remove the AA batteries when power adapter is used.

4: USB Connection

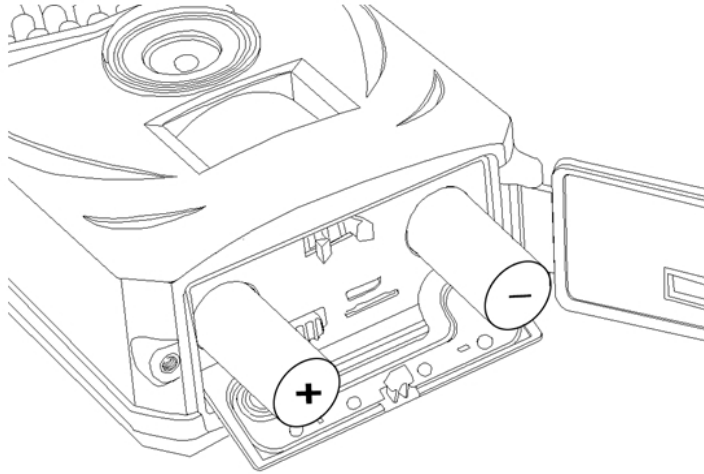
When camera is connected on PC via USB Cable, only read data files

When camera is connected on adapter via USB cable, only power supply

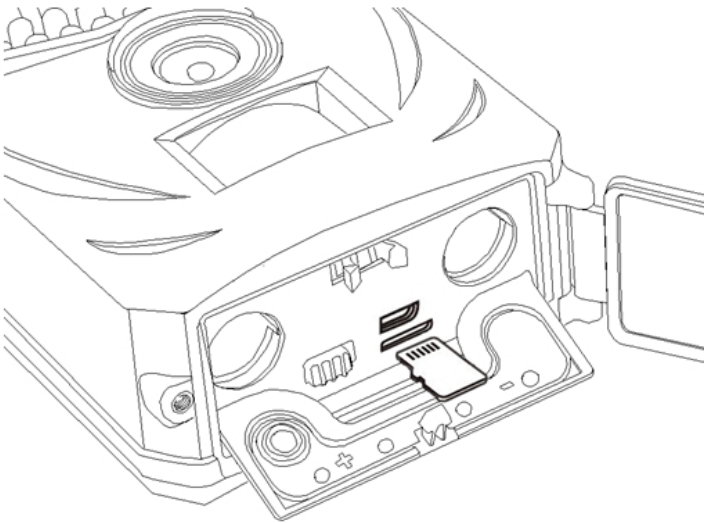


5: How to Start?

A: Open battery box, and put the 4 AA batteries to Camera, like the following photo



B: Insert TF card to Camera, like the following photo



C: Put the switch to "ON" position, and the indicator light will flashing 1-2 times to go out, Camera will enter PIR detect status.

D: It will take 3 photos and 10s video record when it has PIR detected

E: It will not take photo and video recorder when it doesn't have PIR detect, it will enter standby status or shut off

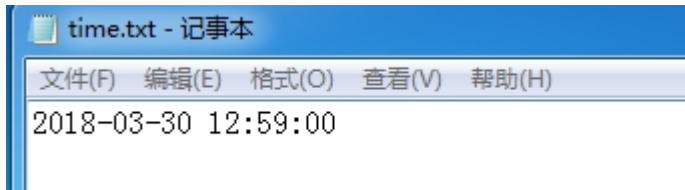
F: It has Overwrite function

6: Specifications:

- Image Sensor: 3MP Color CMOS
- Photo resolution: 12MP 4032*3024
- Video resolution: FHD 1920*1080P 25FPS
- Trigger time: 0.8S
- Work mode: 3 Photos + 10s Video
- PIR angle: 110 degree
- Lens: wide 120 degree
- IR LED: 26pcs 940nm black Lights, 15M
- PIR Distance: 15M
- Memory: Max Micro SD 32GB
- USB Slot: 5pins USB 2.0
- Power Supply: 4 AA battery or DC 5V
- Waterproof: IP56
- Stand-by Time: 12Months
- Stand-by current: 0.01mA
- Size: 135*90*55MM
- Weight: 160g
- Temperature: -10~+70°C/-14~+158°F
- Certification: CE FCC ROHS

7: Set Date and Time:

Set up a text file as name: time, open “time.txt” file, set date and time format: 2018-03-30 12:59:00, and save it to micro SD card root.



8: Warranty Policy:

A: Dear customers:

Thank you for using our trail camera product, to obtain better warranty service, please carefully read following clauses.

B: Duration of warranty

- 1: We provide one year warranty service for the main body
- 2: We do not replace or refund any sold product except for quality problem

C: Disclaimers

This warranty does not cover the followings cases:

- 1: Man-made surface corruption, break, distortion, or damages due to improper installation, operation, and maintenance.
- 2: Connecting port is distorted or cracked; PCB is distorted, cracked, damaged or burned; chip is severely burned.
- 3: The warranty period has expired.
- 4: Product repaired by unauthorized service provider or personnel, or disassembled by users themselves
- 5: The original label or bar code has been removed, damaged or modified