

## TIPS:

Device Charging: When plug in power, battery indicator is always on and off when fully charged.

Battery	950mA
Power consumption of Mode 1	20mA
Power consumption of Mode 2	50mA
Battery life of Mode 1	Around 40 hours
Battery life of Mode 2	Around 16 hours
Charging time	Around 5 hours

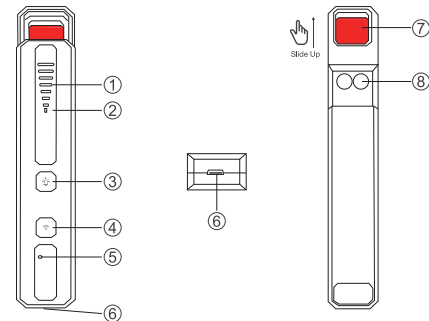
## RF BUG DETECTOR for Hidden cameras, Wireless Signals

User Manual(July,2021)

The RF Bug Detector is for personal privacy protection. The bug camera detector included help assist in sweeping the unauthorized surveillance devices. Locate hidden cameras, wireless signals that could be invading your private space at home and office, or during travel and shopping etc...It's portable and tiny for along carry in handbag, key chain, suitcase or briefcase.

Usage area: Hotel AirBnB Apartment Dressing room  
Public toilet Gym

### Product structure

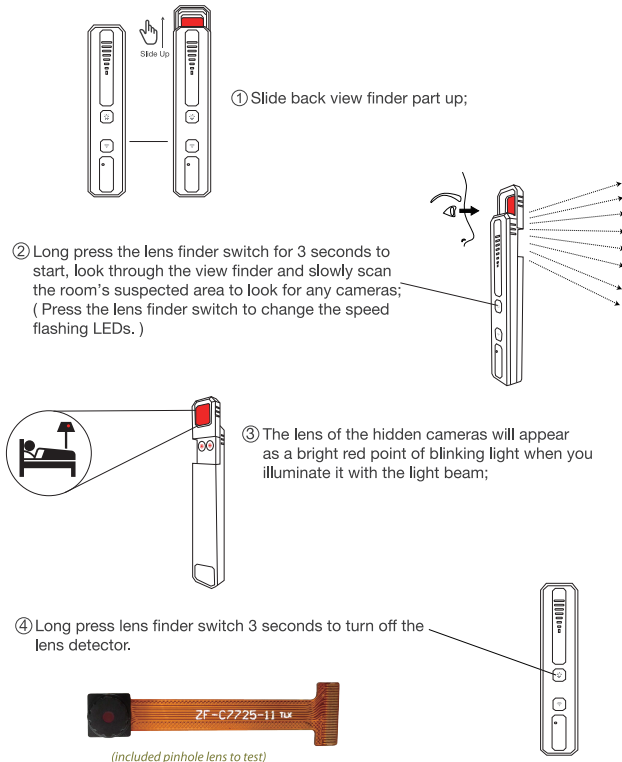


- ① Frequency indicator    ② Charging indicator    ③ Lens finder switch  
④ Wireless signals detector switch    ⑤ Speaker    ⑥ USB port  
⑦ View finder(Slide the red part up)    ⑧ Ultra red leds

## In the box:

1 x RF bug detector    1 x User manual    1 x USB cable    1 x Test lens

## How to detect the hidden cameras? ( Lens Detector )



## How to detect the wireless signals? ( Wireless Signals Detector )

Wireless Signals detect

